

# TPC6000-6XXX Series

Rugged Intel® Atom™ Fanless embedded industrial Tablet PC

Industrial Touch Panel PC

## Brief introduction

TPC6000-6XXX series is based fanless Industrial Panel PC Intel Atom processor, has a powerful computing capabilities while maintaining low power consumption, especially CPU and memory are used in surface mount technology, and enhance the stability and compatibility sex; storage-free cable connections, and support SATA hard drives and electronic disk storage, and designed quick installation and maintenance programs.

TPC6000-6XXX series designed 9-30V wide voltage power input program, to meet the increased requirements of complex industrial site overcurrent, overvoltage, surge and reverse polarity protection measures; function with a wealth of I/O interfaces, 2 Gigabit Ethernet port, five USB2.0 ports, four selectable RS232/485 serial ports, parallel port, audio output and VGA display interface, and supports plug a monitor constitute synchronous or asynchronous dual display;

TPC6000-6XXX series of high quality industrial grade LCD display with high brightness, low power consumption, long life and other characteristics; touch screen with high temperature process five-wire resistive, with fast response, high precision, dust, water, 35 million times Click and 500 million times MTBF index stroke life.

TPC6000-6XXX series is also based on the appearance of industrialization considerations, the use of magnesium alloy die-casting machine, thin shape both robustness, the box can be a large area of the heat sink quickly distribute heat within the system; fully compliant front panel anti NEMA/IP65 dust and waterproof standard, eliminate on-site water droplets and dust into the host affect equipment operation.

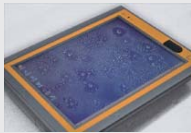
TPC6000-6XXX series Industrial Panel PC is widely used in industrial automation process control, intelligent power control, CNC equipment manufacturing, environmental monitoring, pharmaceutical equipment, food packaging machinery, machine vision inspection, monitoring of wind power, solar Puller, tire vulcanizing machine and other industrial site environment.



## TPC6000-6XXX Products Center

Processor Type	10.4" LCD	12.1" LCD	15" LCD	17" LCD	19" LCD
Atom Z5101.1Ghz Mononuclea	TPC6000-6100T-Z510	TPC6000-6120T-Z510	TPC6000-6150T-Z510		
Atom Z5301.6Ghz Mononuclear	TPC6000-6100T-Z530	TPC6000-6120T-Z530	TPC6000-6150T-Z530		
Atom N28001.86Ghz Dual-core	TPC6000-6101T	TPC6000-6121T	TPC6000-6151T	TPC6000-6171T	TPC6000-6191T

## Features and Benefits



Front panel NEMA IP65 waterproof rating reached



Fast disk installation and maintenance structure



Magnesium aluminum alloy fin large, maintenance-free Supporting Design



User-friendly front panel design



CPU and memory uses BGA surface mount technology, id temperature, pressure and long life solid capacitors implement



High level of integration and professional motherboard design



8 V ESD protection, TVS 600 surge protection, 2500VDC isolation serial magnetic coupling



Phoenix terminal using fastening type power connector

# TPC6000-6100T/6101T

10.4 "Rugged Intel® Atom™ Fanless Industrial Panel PC



Power indicator  
Work instructions  
External VGA port  
Dual Ethernet ports  
USB2.0  
Front USB2.0  
Power switch



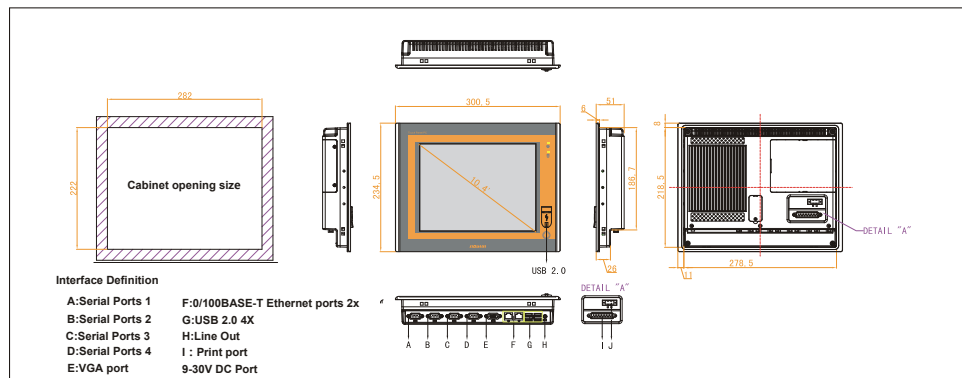
DC9 ~ 30V port  
Parallel port  
RS232/RS485 Optional serial  
Audio Output

## Product Specifications

Type	TPC6000-6100T	TPC6000-6101T
<b>System parameters</b>		
Processor	Intel Atom Z510 1.1GHz/Z530 1.6GHz low-power processor (2W) FSB 400/533MHz	Onboard Intel Atom N2800 Dual-core Processor (TDP6.5W) Clocked at 1.86GHz, 1M secondary cache
Chipset	Intel U515WP SOC(2.3W)	Intel NM10 ( TDP2.1W )
Memory	Onboard 1GB DDR2 533MHz SDRAM	Onboard 1GB DDR2 533MHz SDRAM
Disk	Support SATA 2.5 "SSD, HDD and CFAST	Support SATA 2.5 "SSD, HDD and CFAST
Show	Intel GMA950 224MB shared memory, supports synchronous and asynchronous dual display	Intel GMA3600 512MB shared memory, supports synchronous and asynchronous dual display
Network port	2 INTEL82574L 10/100/1000Mbps Ethernet ports	2 INTEL 82583V 10/100/1000Mbps RJ45 ports , With lightning protection, surge and 15KV ESD protection
Wireless Network		A Mini-PCIe slot, scalable 3G, Wifi wireless card
Audio	RTL ALC883 audio controller	Realtek ALC662 audio controller
USB	1 × USB2.0 front panel ports, 4 × USB2.0 ports Rear	1 × USB2.0 front panel ports, 4 × USB2.0 rear port, with 8KV ESD protection
Serial ports	4 optional RS232/RS485 serial RS485 interface using all DC2500V Optical isolation, support for automatic data flow control	4 optional RS232/RS485 serial signal has 2.5KV magnetic coupling isolation, 600V surge protection and 8KV ESD protection, RS232 support 5V/12V Voltage selector, RS485 supports automatic data flow control.
Watchdog	0 ~ 255 Seconds Programmable Settings	
<b>Institutions and power</b>		
The front panel	Magnesium alloy die-casting, the surface of PET film, meets NEMA IP65 protection class	
Box structure	Magnesium alloy die-casting molding, high temperature paint handling, designed to cover a large area of the heat sink fins	
Installation	Panel flush mounted, using the retractor fixed; with VESA mounting bracket can be achieved	
Panel color	Deep color	
Power Input	DC9 ~ 30V wide voltage work, with overcurrent, overvoltage and reverse polarity protection	
Overall dimensions	300.5×234.5×51 mm (Width × Height × Depth)	
Box Size	278.5×218.5×45 mm (Width × Height × Depth)	
Hole size	282×222 mm (Width × Height)	
Total Weight	Weight: 2.01kg	Weight: 2.06kg

1  
TPC6000 6XXX系列  
2  
TPC6000 81X0系列  
3  
TPC6000 81X2系列  
4  
TPC6000 5082T  
5  
TPC6000 L122T  
6  
TPC6000 WP1702T  
7  
NODKA 360MB  
8  
eBOX 3510  
9  
eBOX 381X系列  
10  
eBOX 3822  
11  
eBOX 372X系列  
12  
PANEL5000 IP65PM系列  
13  
PANEL5000 WP1702T  
14  
AWS8000 150  
15  
AWS8000 081C

Model	TPC6000-6100T	TPC6000-6101T
<b>LCD display</b>		
Display Type	10.4"XGA TFT LCD	
Resolution	800x600	
Maximum color	262k	
Display Area	211.2x158.4mm	
Reaction Time	25ms	
Backlit	LED	
Backlit MTBF	50,000 Hours	
Brightness	400cd/m²	
Contrast	400:1	
Lattice	0.264X0.264	
Maximum Angle	(H)110/(V)130	
<b>Touch screen</b>		
Size/Type	Five-wire analog resistive temperature	
Resolution	4096x4096	
Surface Hardness	<5ms	
Response time	3H	
Click To Life	250 Grams Efforts, 35 Million Times	
Stroke Life	250 Grams Effort, 5,000,000 Times	
Transmittance	More Than 80%	
<b>Environmental parameters</b>		
Operating Temperature	-20~+60°C (Electronic disk)	
Storage Temperature	-30~+80°C	
Relative Humidity	10~95%@40°C(Non-condensing)	
Vibration	50 ~ 500Hz, 1.5G, 0.15mm Peak	
Impact	10G/Peak ( 11ms Sec )	



## Ordering Information

TPC6000-6100T-Z510 : 10.4" TFT LCD/Z510 1.1GHZ CPU/1GB SDRAM/2xGLAN/5xUSB/4x(RS232/485)/LPT/VGA/AUDIO/TOUCH  
 TPC6000-6100T-Z530 : 10.4" TFT LCD/Z530 1.6GHZ CPU/1GB SDRAM/2xGLAN/5xUSB/4x(RS232/485)/LPT/VGA/AUDIO/TOUCH  
 TPC6000-6101T : 10.4" TFT LCD/N2800 1.86GHZ CPU/2GB Memory/2xGLAN/5xUSB/4x(RS232/485)/LPT/VGA/AUDIO/TOUCH  
 PAA060F : AC220 input, DC12V@5A output power adapter

## TPC6000-6120T/6121T

### 12.1 "Rugged Intel® Atom™ Fanless Industrial Panel PC



## Product Specifications

Type	TPC6000-6120T	TPC6000-6121T
<b>System parameters</b>		
Processor	Intel Atom Z510 1.1GHz/Z530 1.6GHz low-power processor (2W) FSB 400/533MHz	Onboard Intel Atom N2800 Dual-core Processor (TDP6.5W) Clocked at 1.86GHZ, 1M secondary cache
Chipset	Intel US15WP SOC(2.3W)	Intel NM10 ( TDP2.1W )
Memory	Onboard 1GB DDR2 533MHz SDRAM	Onboard 1GB DDR2 533MHz SDRAM
Disk	Support SATA 2.5 *SSD, HDD and CFAST	Support SATA 2.5 *SSD, HDD and CFAST
Show	Intel GMA950 224MB Shared memory, supports synchronous and asynchronous dual display	Intel GMA3600 512MB shared memory, supports synchronous and asynchronous dual display
Network port	2 INTEL82574L 10/100/1000Mbps Ethernet ports	2 INTEL 82583V 10/100/1000Mbps RJ45 ports , With lightning protection, surge and 15KV ESD protection
Wireless Network		A Mini-PCIe slot, scalable 3G, Wifi wireless card
Audio	RTL ALC883 audio controller	Realtek ALC662 audio controller
USB	1 x USB2.0 front panel ports, 4 x USB2.0 ports Rear	1 x USB2.0 front panel ports, 4 x USB2.0 rear port, with 8KV ESD protection
Serial ports	4 optional RS232/RS485 serial RS485 interface using all DC2500V Optical isolation, support for automatic data flow control	4 optional RS232/RS485 serial signal has 2.5KV magnetic coupling isolation, 600W surge protection and 8KV ESD protection, RS232 support 5V/12V Voltage selector, RS485 supports automatic data flow control.
Watchdog	0 ~ 255 Seconds Programmable Settings	
<b>Institutions and power</b>		
The front panel	Magnesium alloy die-casting, the surface of PET film, meets NEMA IP65 protection class	
Box structure	Magnesium alloy die-casting molding, high temperature paint handling, designed to cover a large area of the heat sink fins	
Installation	Panel flush mounted, using the retractor fixed; with VESA mounting bracket can be achieved	
Panel color	Deep color	
Power Input	DC9 ~ 30V wide voltage work, with overcurrent, overvoltage and reverse polarity protection	
Overall dimensions	321x234x51 mm (Width x Height x Depth)	
Box Size	301x227x45 mm (Width x Height x Depth)	
Hole size	304x230 mm (Width x Height)	
Total Weight	Weight: 2.26kg	

1  
TPC6000 6XXX系列

2  
TPC6000 81X0系列

3  
TPC6000 81X2系列

4  
TPC6000 5082T

5  
TPC6000 L122T

6  
TPC6000 WP1702T

7  
NODKA 360MB

8  
eBOX 3510

9  
eBOX 381X系列

10  
eBOX 3822

11  
eBOX 372X系列

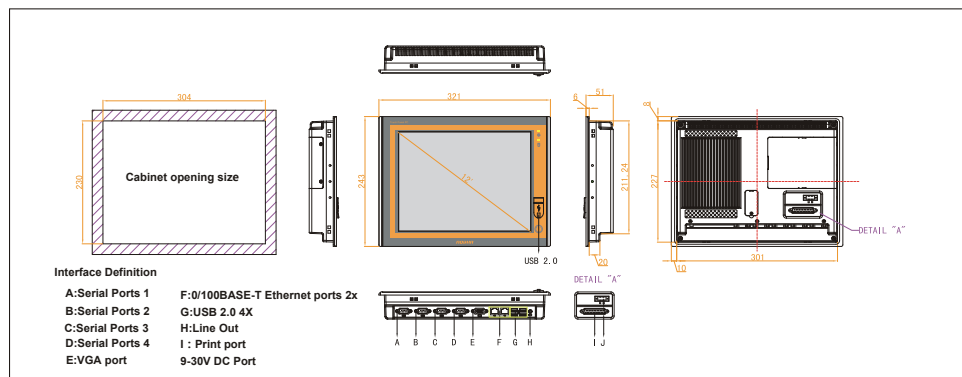
12  
PANEL5000 IP65PM系列

13  
PANEL5000 WP1702T

14  
AWS8000 150

15  
AWS8000 081C

Model	TPC6000-6120T	TPC6000-6121T
<b>LCD display</b>		
Display Type	12"XGA TFT LCD	
Resolution	1024x768	
Maximum color	262k	
Display Area	245.76x184.32mm	
Reaction Time	16ms	
Backlit	LED	
Backlit MTBF	50,000 Hours	
Brightness	450cd/m <sup>2</sup>	
Contrast	700:1	
Lattice	0.240X0.240	
Maximum Angle	(H)160/(V)160	
<b>Touch screen</b>		
Size/Type	12.1"Five-wire analog resistive temperature	
Resolution	4096x4096	
Surface Hardness	<5ms	
Response time	3H	
Click To Life	250 Grams Efforts, 35 Million Times	
Stroke Life	250 Grams Effort, 5,000,000 Times	
Transmittance	More Than 80%	
<b>Environmental parameters</b>		
Operating Temperature	-20~+60°C (Electronic disk)	
Storage Temperature	-30~+80°C	
Relative Humidity	10~95%@40°C(Non-condensing)	
Vibration	50 ~ 500Hz, 1.5G, 0.15mm Peak	
Impact	10G/Peak ( 11ms Sec )	

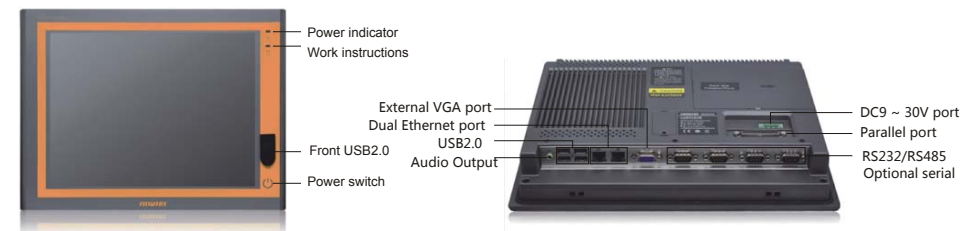


## Ordering Information

TPC6000-6120T-Z510 : 12.1" TFT LCD/Z510 1.1GHZ CPU/1GB SDRAM/2xGLAN/5xUSB/4x(RS232/485)/LPT/VGA/AUDIO/TOUCH  
 TPC6000-6120T-Z530 : 12.1" TFT LCD/Z530 1.6GHZ CPU/1GB SDRAM/2xGLAN/5xUSB/4x(RS232/485)/LPT/VGA/AUDIO/TOUCH  
 TPC6000-6121T : 12.1" TFT LCD/N2800 1.86GHZ CPU/2GB Memory/2xGLAN/5xUSB/4x(RS232/485)/LPT/VGA/AUDIO/TOUCH  
 PAA060F : AC220 input, DC12V@5A output power adapter

## TPC6000-6150T/6151T

### 15" Rugged Intel® Atom™ Fanless Industrial Panel PC



## Product Specifications

Type	TPC6000-6150T	TPC6000-6151T
<b>System parameters</b>		
Processor	Intel Atom Z510 1.1GHz/Z530 1.6GHz low-power processor (2W) FSB 400/533MHz	Onboard Intel Atom N2800 Dual-core Processor (TDP6.5W) Clocked at 1.86GHZ, 1M secondary cache
Chipset	Intel US15WP SOC(2.3W)	Intel NM10 ( TDP2.1W )
Memory	Onboard 1GB DDR2 533MHz SDRAM	Onboard 1GB DDR2 533MHz SDRAM
Disk	Support SATA 2.5 *SSD, HDD and CFAST	Support SATA 2.5 *SSD, HDD and CFAST
Show	Intel GMA950 224MBSHared memory, supports synchronous and asynchronous dual display	Intel GMA3600 512MB shared memory, supports synchronous and asynchronous dual display
Network port	2 INTEL82574L 10/100/1000Mbps Ethernet ports	2 INTEL 82583V 10/100/1000Mbps RJ45 ports , With lightning protection, surge and 15KV ESD protection
Wireless Network		A Mini-PCIe slot, scalable 3G, Wifi wireless card
Audio	RTL ALC883 audio controller	Realtek ALC662 audio controller
USB	1 x USB2.0 front panel ports, 4 x USB2.0 ports Rear	1 x USB2.0 front panel ports, 4 x USB2.0 rear port, with 8KV ESD protection
Serial ports	4 optional RS232/RS485 serial RS485 interface using all DC2500V Optical isolation, support for automatic data flow control	4 optional RS232/RS485 serial signal has 2.5KV magnetic couplings isolation, 600W surge protection and 8KV ESD protection, RS232 support 5V/12V Voltage selector, RS485 supports automatic data flow control.
Watchdog	0 ~ 255 Seconds Programmable Settings	
<b>Institutions and power</b>		
The front panel	Magnesium alloy die-casting, the surface of PET film, meets NEMA IP65 protection class	
Box structure	Magnesium alloy die-casting molding, high temperature paint handling, designed to cover a large area of the heat sink fins	
Installation	Panel flush mounted, using the retractor fixed; with VESA mounting bracket can be achieved	
Panel color	Deep color	
Power Input	DC9 ~ 30V wide voltage work, with overcurrent, overvoltage and reverse polarity protection	
Overall dimensions	395x313x51 mm (Width x Height x Depth)	
Box Size	373x297x45 mm (Width x Height x Depth)	
Hole size	376x300 mm (Width x Height)	
Total Weight	Weight:3.66kg	Weight:3.68kg

1  
TPC6000 61XX系列

2  
TPC6000 81X0系列

3  
TPC6000 81X2系列

4  
TPC6000 5082T

5  
TPC6000 L122T

6  
TPC6000 WP1702T

7  
NODKA 360MB

8  
eBOX 3510

9  
eBOX 381X系列

10  
eBOX 3822

11  
eBOX 372X系列

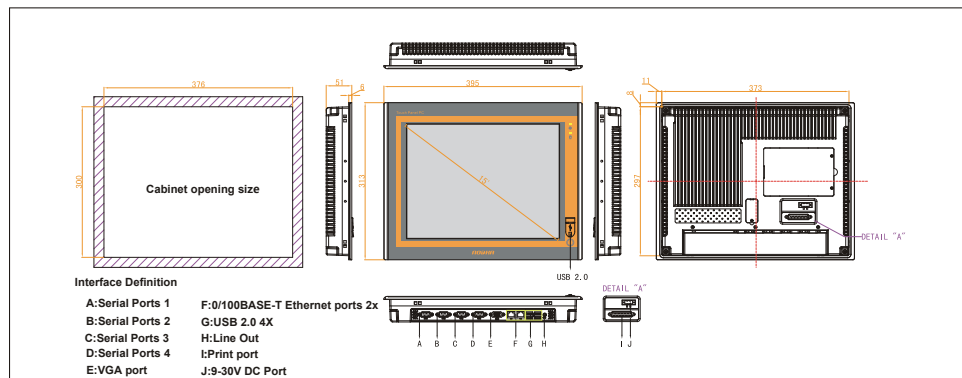
12  
PANEL5000 IP65PM系列

13  
PANEL5000 WP1702T

14  
AWS8000 150

15  
AWS8000 081C

Model	TPC6000-6150T	TPC6000-6151T
<b>LCD display</b>		
Display Type	15"XGA TFT LCD	
Resolution	1024x768	
Maximum color	16.7M	
Display Area	304.128X228.096mm	
Reaction Time	8ms	
Backlit	LED	
Backlit MTBF	50,000 Hours	
Brightness	400cd/m <sup>2</sup>	
Contrast	600:1	
Lattice	0.297X0.297	
Maximum Angle	(H)100/(V)120	
<b>Touch screen</b>		
Size/Type	15"Five-wire analog resistive temperature	
Resolution	4096x4096	
Surface Hardness	<5ms	
Response time	3H	
Click To Life	250 Grams Efforts, 35 Million Times	
Stroke Life	250 Grams Effort, 5,000,000 Times	
Transmittance	More Than 80%	
<b>Environmental parameters</b>		
Operating Temperature	-20~+60°C (Electronic disk)	
Storage Temperature	-30~+80°C	
Relative Humidity	10~95%@40°C(Non-condensing)	
Vibration	50 ~ 500Hz, 1.5G, 0.15mm Peak	
Impact	10G/Peak ( 11ms Sec )	

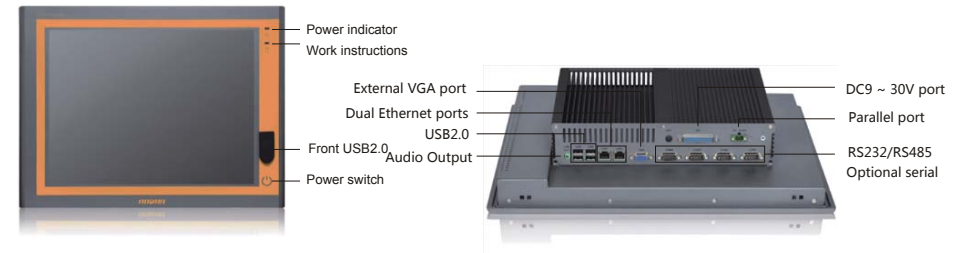


## Ordering Information

TPC6000-6150T-Z510 : 15" TFT LCD/Z510 1.1GHZ CPU/1GB SDRAM/2xGLAN/5xUSB/4x(RS232/485)/LPT/VGA/AUDIO/TOUCH  
 TPC6000-6150T-Z530 : 15" TFT LCD/Z530 1.6GHZ CPU/1GB SDRAM/2xGLAN/5xUSB/4x(RS232/485)/LPT/VGA/AUDIO/TOUCH  
 TPC6000-6151T : 15" TFT LCD/N2800 1.86GHZ CPU/2GB Memory/2xGLAN/5xUSB/4x(RS232/485)/LPT/VGA/AUDIO/TOUCH  
 PAA060F : AC220 input, DC12V@5A output power adapter(Optional)

## TPC6000-6171T

### 17" Rugged Intel® Atom™ Fanless Industrial Panel PC



## Product Specifications

Type	TPC6000-6171T
<b>System parameters</b>	
Processor	Onboard Intel Atom N2800 Dual-core Processor (TDP6.5W) Clocked at 1.86GHZ, 1M secondary cache
Chipset	Intel NM10 ( TDP2.1W )
Memory	Onboard 1GB DDR2 533MHz SDRAM
Disk	Support SATA 2.5 "SSD, HDD and CFAST
Show	Intel GMA3600 512MB shared memory, supports synchronous and asynchronous dual display
Network port	2 INTEL 82583V 10/100/1000Mbps RJ45 ports , With lightning protection, surge and 15KV ESD protection
Wireless Network	A Mini-PCIe slot, scalable 3G, Wifi wireless card
Audio	Realtek ALC662 audio controller
USB	1 × USB2.0 front panel ports, 4 × USB2.0 rear port, with 8KV ESD protection
Serial ports	4 optional RS232/RS485 serial signal has 2.5KV magnetic coupling isolation, 600W surge protection and 8KV ESD protection, RS232 support 5V/12V Voltage selector, RS485 supports automatic data flow control.
GPIO	8-channel input, 8-channel output
Watchdog	0 ~ 255 Seconds Programmable Settings
<b>Institutions and pow</b>	
The front panel	Magnesium alloy die-casting, the surface of PET film, meets NEMA IP65 protection class
Box structure	Magnesium alloy die-casting molding, high temperature paint handling, designed to cover a large area of the heat sink fins
Installation	Panel flush mounted, using the retractor fixed; with VESA mounting bracket can be achieved
Panel color	Deep color
Power Input	DC9 ~ 30V wide voltage work, with overcurrent, overvoltage and reverse polarity protection
Overall dimensions	434×342×90 mm (Width × Height × Depth)
Box Size	408×322×82 mm (Width × Height × Depth)
Hole size	411×325 mm (Width × Height)
Total Weight	Weight:7.77kg

1  
TPC6000 61XX系列

2  
TPC6000 81X0系列

3  
TPC6000 81X2系列

4  
TPC6000 5082T

5  
TPC6000 L122T

6  
TPC6000 WP1702T

7  
NODKA 360MB

8  
eBOX 3510

9  
eBOX 381X系列

10  
eBOX 3822

11  
eBOX 372X系列

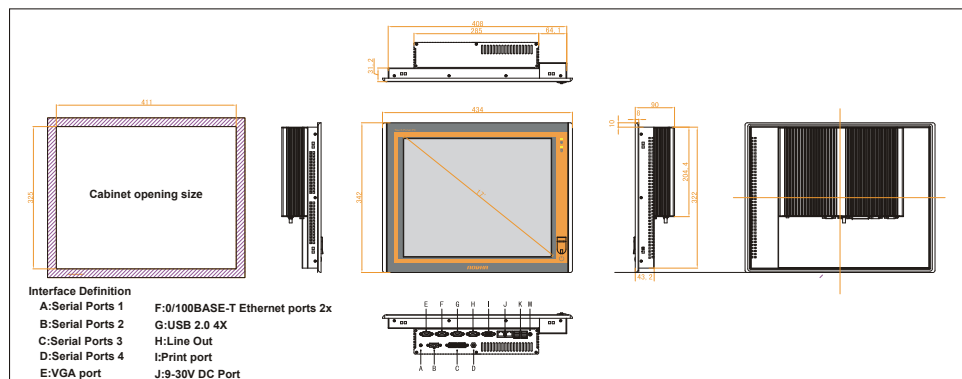
12  
PANEL5000 IP65PM系列

13  
PANEL5000 WP1702T

14  
AWS8000 150

15  
AWS8000 081C

Model	TPC6000-6171T
<b>LCD display</b>	
Display Type	17" TFT
Resolution	1280x1024
Maximum color	16.7M
Display Area	338X270mm
Reaction Time	8ms
Backlit	LED
Backlit MTBF	50,000 Hours
Brightness	250cd/m <sup>2</sup>
Contrast	500:1
Lattice	0.264X0.264
Maximum Angle	(H)140/(V)130
<b>Touch screen</b>	
Size/Type	17"Five-wire analog resistive temperature
Resolution	4096x4096
Surface Hardness	<5ms
Response time	3H
Click To Life	250 Grams Efforts, 35 Million Times
Stroke Life	250 Grams Effort, 5,000,000 Times
Transmittance	More Than 80%
<b>Environmental parameters</b>	
Operating Temperature	-20~+60°C (Electronic disk)
Storage Temperature	-30~+80°C
Relative Humidity	10~95%@40°C(Non-condensing)
Vibration	50 ~ 500Hz, 1.5G, 0.15mm Peak
Impact	10G/Peak ( 11ms Sec )

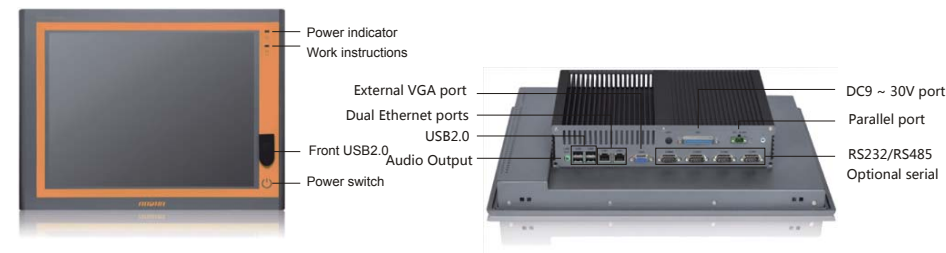


## Ordering Information

TPC6000-6171T : 17" TFT LCD/N2800 1.86GHz CPU/2GB Memory/2xGLAN/5xUSB/4x(RS232/485)/GPIO/VGA/AUDIO/TOUCH  
 PAA060F : AC220 input, DC12V@5A output power adapter(Optional)

# TPC6000-6191T

## 19" Rugged Intel® Atom™ Fanless Industrial Panel PC



## Product Specifications

Type	TPC6000-6191T
<b>System parameters</b>	
Processor	Onboard Intel Atom N2800 Dual-core Processor (TDP6.5W) Clocked at 1.86GHz, 1M secondary cache
Chipset	Intel NM10 ( TDP2.1W )
Memory	Onboard 1GB DDR2 533MHz SDRAM
Disk	Support SATA 2.5 "SSD, HDD and CFAST
Show	Intel GMA3600 512MB shared memory, supports synchronous and asynchronous dual display
Network port	2 INTEL 82583V 10/100/1000Mbps RJ45 ports , With lightning protection, surge and 15KV ESD protection
Wireless Network	A Mini-PCIe slot, scalable 3G, Wifi wireless card
Audio	Realtek ALC662 audio controller
USB	1 x USB2.0 front panel ports, 4 x USB2.0 rear port, with 8KV ESD protection
Serial ports	4 optional RS232/RS485 serial signalhas 2.5KV magnetic couplingisolation,600W surge protection and 8KV ESD protection, RS232 support 5V/12V Voltage selector, RS485 supports automatic data flow control.
GPIO	8-channel input, 8-channel output
Watchdog	0 ~ 255 Seconds Programmable Settings
<b>Institutions and pow</b>	
The front panel	Magnesium alloy die-casting, the surface of PET film, meets NEMA IP65 protection class
Box structure	Magnesium alloy die-casting molding, high temperature paint handling, designed to cover a large area of the heat sink fins
Installation	Panel flush mounted, using the retractor fixed; with VESA mounting bracket can be achieved
Panel color	Deep color
Power Input	DC9 ~ 30V wide voltage work, with overcurrent, overvoltage and reverse polarity protection
Overall dimensions	466x370x90 mm (Width x Height x Depth)
Box Size	440x34+ x82 mm (Width x Height x Depth)
Hole size	443x352 mm (Width x Height)
Total Weight	Weight:8.26kg

1  
TPC6000 61XX系列

2  
TPC6000 81X0系列

3  
TPC6000 81X0系列

4  
TPC6000 5082T

5  
TPC6000 L122T

6  
TPC6000 WP1702T

7  
NODKA 360MB

8  
eBOX 3510

9  
eBOX 381X系列

10  
eBOX 3822

11  
eBOX 372X系列

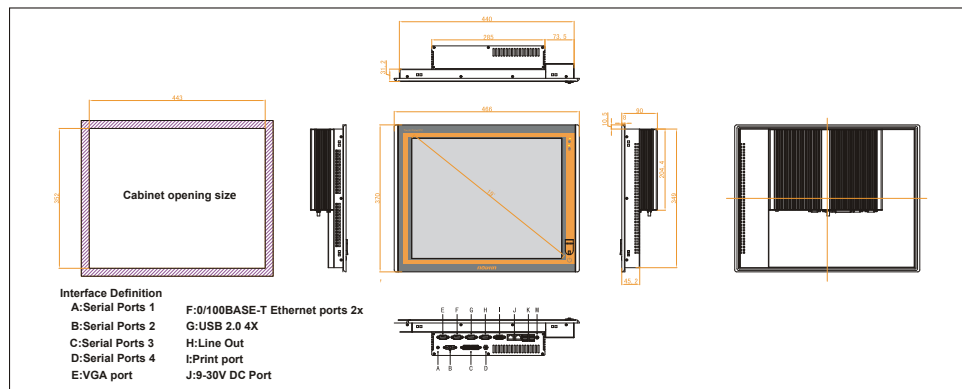
12  
PANEL5000 IP65PM系列

13  
PANEL5000 WP1702T

14  
AWS8000 150

15  
AWS8000 081C

<b>Model</b>	<b>TPC6000-6191T</b>
<b>LCD display</b>	
Display Type	19" TFT
Resolution	1280x1024
Maximum color	16.7M
Display Area	376.32X301.06mm
Reaction Time	16ms
Backlit	LED
Backlit MTBF	50,000 Hours
Brightness	250cd/m <sup>2</sup>
Contrast	1000:1
Lattice	0.294X0.294
Maximum Angle	(H)160/(V)160
<b>Touch screen</b>	
Size/Type	19"Five-wire analog resistive temperature
Resolution	4096x4096
Surface Hardness	<5ms
Response time	3H
Click To Life	250 Grams Efforts, 35 Million Times
Stroke Life	250 Grams Effort, 5,000,000 Times
Transmittance	More Than 80%
<b>Environmental parameters</b>	
Operating Temperature	-20~+60°C (Electronic disk)
Storage Temperature	-30~+80°C
Relative Humidity	10~95%@40°C(Non-condensing)
Vibration	50 ~ 500Hz, 1.5G, 0.15mm Peak
Impact	10G/peak ( 11ms sec)



## Ordering Information

TPC6000-6171T : 19" TFT LCD/N2800 1.86GHz CPU/2GB Memory/2xGLAN/5xUSB/4x(RS232/485)/GPIO/VGA/AUDIO/TOUCH  
PAA060F : AC220 input, DC12V@5A output power adapter(Optional)