

eBOX-372X Series

Low-power Intel® Core™ fanless industrial computer brain, with PCI / PCIe slots

Industrial Computer



Brief introduction

eBOX-372X series is based fanless industrial computer Intel Core 1.4GHZ dual-core ultra-low voltage processor, has a powerful computing capabilities while maintaining low power consumption, especially CPU and memory are used in surface mount technology, enhanced product stability and compatibility; chipset Intel GMA X4500 integrated graphics, providing high-performance and high-quality graphics processing capability; support SATA hard drives and electronic disk storage, and designed quick installation and maintenance programs;

eBOX-372X Series fanless industrial computers designed 12-24V wide voltage power input program, an increase of overcurrent, overvoltage, surge measures to adapt to the requirements of complex industrial site; function with a wealth of I / O interfaces, 2 Gigabit Ethernet ports, four USB2.0 ports, six RS232 serial port, parallel port, audio output and VGA display interface; For the convenience of users to achieve small data acquisition and control, integrated 16-channel digital input and output capabilities, and optional equipped with digital optical input and relay output terminals across the board.

eBOX-372X Series appearance fanless industrial computer-based industrialization considerations, box made of aluminum alloy extrusion profiles and steel structure, compact and robustness of both processor and chipset heat sources such as direct and rapid dissemination through a large area of the aluminum fins, fanless and totally enclosed structure effectively prevent dust entering the host to ensure long and reliable operation in the industrial field, the need for regular cleaning and maintenance.

eBOX-372X Series fanless industrial computers are widely used in industrial automation and process control, intelligent power control, CNC equipment manufacturing, environmental monitoring, pharmaceutical equipment, food packaging machinery, machine vision inspection, monitoring of wind power, solar power and other industrial furnaces pulling field environment.

eBOX-372X Products Center

Expansion Slots	1× Mini PCIe	1×PCI/1×PCIe×4/1×Mini PCIe	4×PCI/2×PCIe1×/1×Mini PCIe
Model	eBOX-3721	eBOX-3722	eBOX-3726

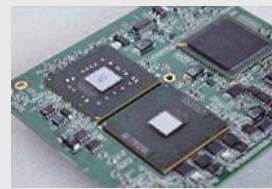
Features and Benefits



Large area aluminum fins, maintenance-free Supporting Design



Brass quick and efficient thermal design



CPU and memory uses BGA surface mount technology, Wide temperature, pressure and long life solid capacitors Implement



Support for PCI / PCIe bus slots



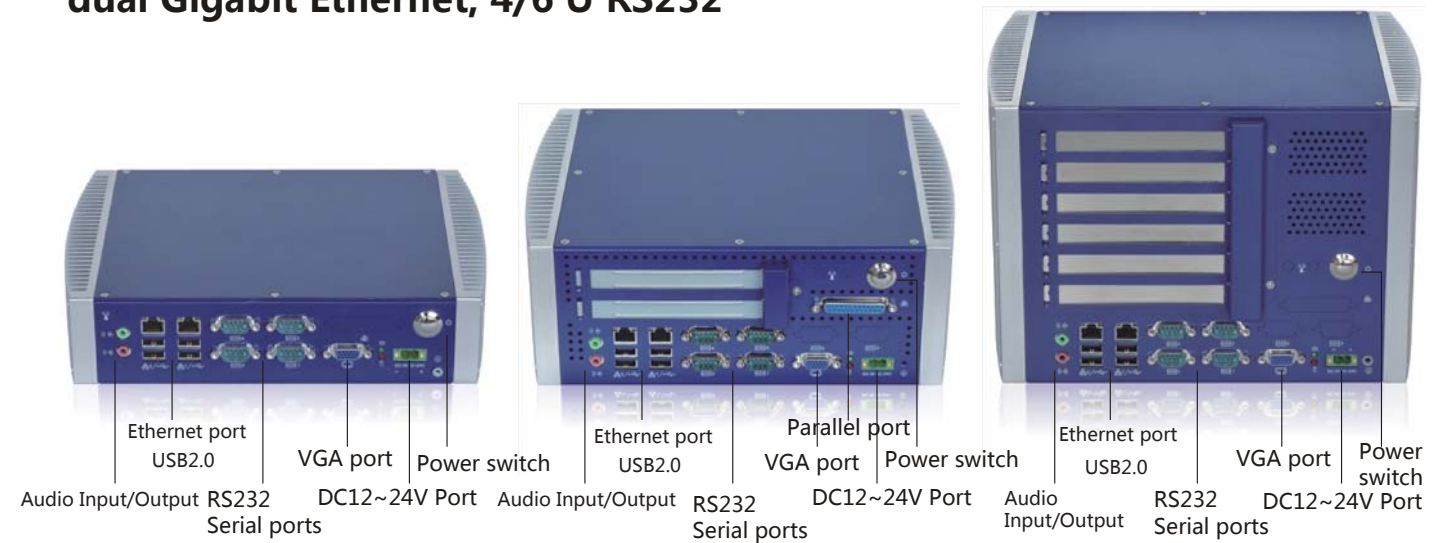
Phoenix terminal using fastening type power connector



Optional switch optically isolated inputs and relay output terminal board

eBOX-3721 / 3722 / 3726

Fully sealed fanless, high performance Core Duo, dual Gigabit Ethernet, 4/6 RS232



Product Specifications

Model	eBOX-3721	eBOX-3722	eBOX-3726
System parameters			
Processor	Support Intel Core 2 Duo SU9400 1.4GH ZCPU, FSB 667/800/1066MHZ		
Chipset	Intel GM45+ICH8-M		
Memory	DDR3 2GB		
Disk	Support SATA 2.5 "hard drives, SATA, mSATA SSD		
Show	Integrated Intel GMA X4500 graphics chip, the largest shared memory up to 1024MB		
Network ports	2 Intel 82583V 10/100/1000Mbps RJ45 end		
Audio	Six-channel Realtek ALC662 High Definition Audio Controller		
Expansion Slots	1 × Mini PCIe	1 × PCI / 1 × PCIe × 4/1 × Mini PCIe	4 × PCI / 2 × PCIe1 × / 1 × Mini PCIe
USB	4 × USB 2.0 ports		
Serial ports	4 × RS232 serial port, expandable to 6		
Watchdog	0 to 255 seconds programmable settings		
Institutional parameters			
The front panel	Aluminum alloy, compact, rugged, good shock resistance and impact		
Box structure	Steel box structure, high temperature paint handling		
Installation	Supports desktop / wall mounting		
Switches and indicators	Power Switch / Power LED / HDD LED		
Cooling System	Large aluminum plate fin heat		
Power Input	DC12 ~ 24V, standard 220VAC to 12VDC power adapter		
Panel Color	Blue		
Overall dimensions	270 × 200 × 60mm (width × height × depth)	275 × 200 × 100mm (width × height × depth)	275 × 200 × 180mm (width × height × depth)
Total Weight	Weight: 2.5kg	Weight: 3.21kg	Weight: 5.01kg
Environmental parameters			
Operating Temperature	-20°C~+60°C(Electronic disk)		
Storage Temperature	-40~+80°C		
Relative Humidity	95% (Non-Condensing)		
Vibration	50~500Hz,1.5G,0.19mm Peak		
Impact	10G/eak(11ms sec)		

1
TPC6000 6XXX系列

2
TPC6000 81X0系列

3
TPC6000 81X2系列

4
TPC6000 5082T

5
TPC6000 L122T

6
TPC6000 WP1702T

7
NODKA 360MB

8
eBOX 3510

9
eBOX 361X系列

10
eBOX 3622

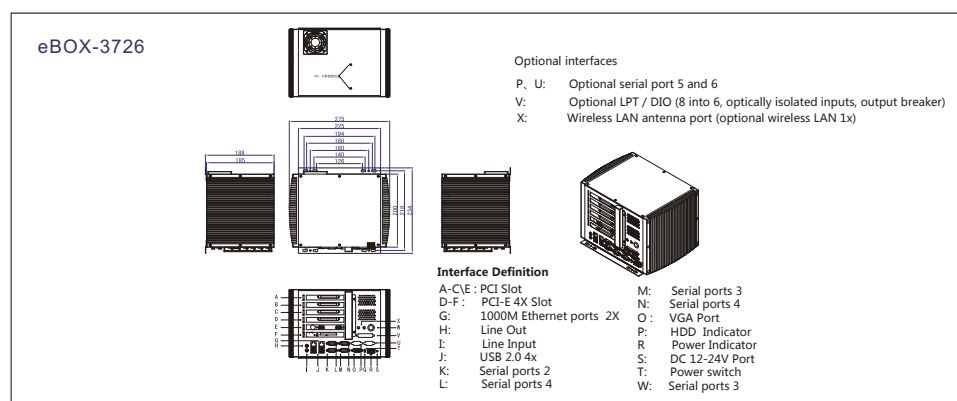
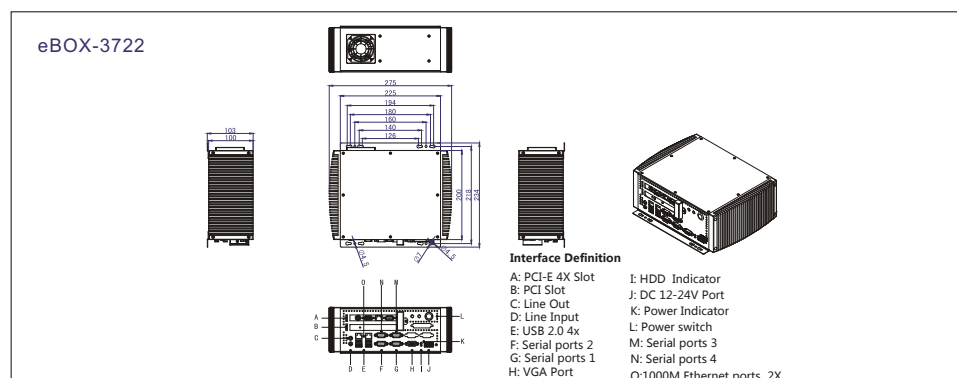
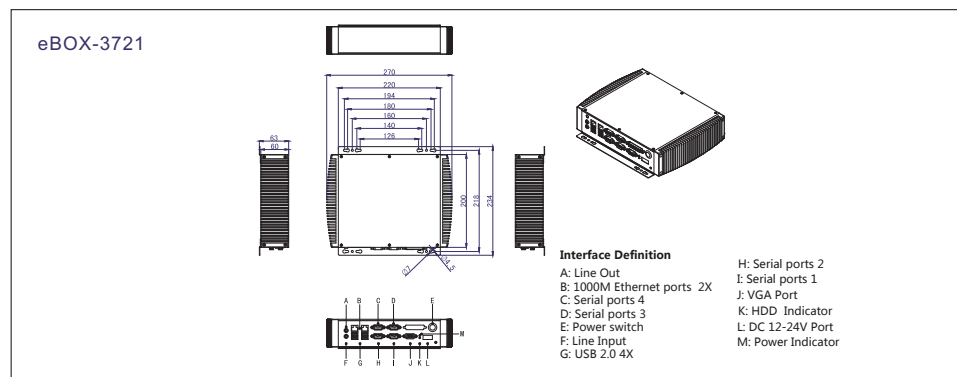
11
eBOX 372X系列

12
PANEL5000 IPMRM系列

13
PANEL5000 WP1702T

14
AWS8000 150

15
AWS8000 081C



I Ordering Information

eBOX-3721-U9400 : 1.4GHZ CPU/2GB SDRAM/VGA/2×GLAN/AUDIO/4×USB/4×COM/ LPT/Power Adapter

eBOX-3722-U9400 : 1.4GHZ CPU/2GB SDRAM/VGA/2×GLAN/AUDIO/4×USB/6×COM/ LPT/16GPIO/ 1×PCI/1×PCIe/Power Adapter

eBOX-3726-U9400 : 1.4GHZ CPU/2GB SDRAM/VGA/2×GLAN/AUDIO/4×USB/6×COM/ LPT/4×PCI/2×PCIe/Power Adapter

DIO-S8R6A : 8-channel optically isolated digital inputs, 6-channel relay output terminal board (optional)